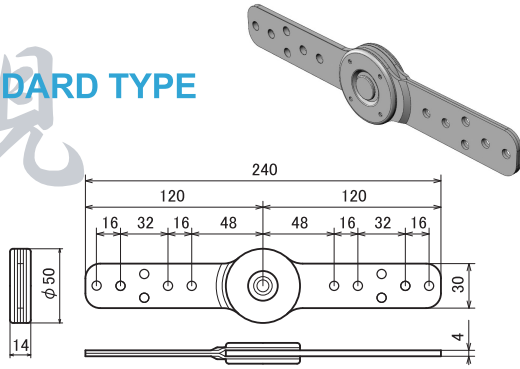
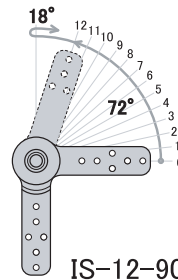


STANDARD TYPE

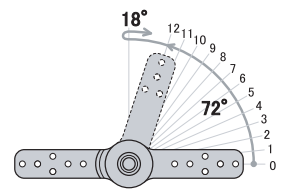
規



12
STEPS

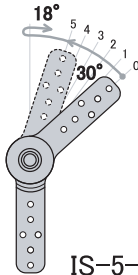


IS-12-90
zero position= 90°
end position= 162°

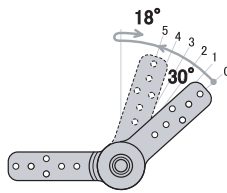


IS-12-180
zero position=180°
end position= 252°

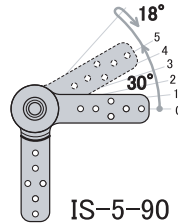
5
STEPS



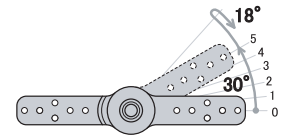
IS-5-132
zero position=132°
end position= 162°



IS-5-222
zero position=222°
end position= 252°

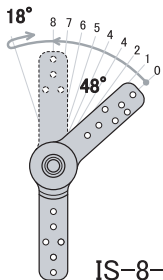


IS-5-90
zero position= 90°
end position= 120°

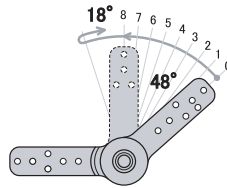


IS-5-180
zero position=180°
end position= 210°

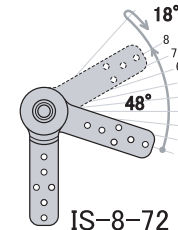
8
STEPS



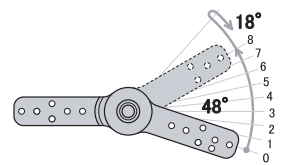
IS-8-132
zero position= 132°
end position= 180°



IS-8-222
zero position=222°
end position= 270°

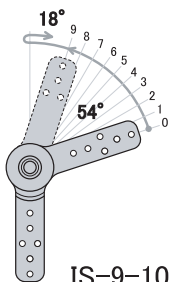


IS-8-72
zero position= 72°
end position= 120°

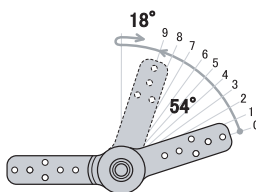


IS-8-162
zero position=162°
end position= 210°

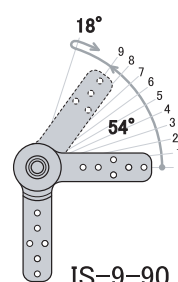
9
STEPS



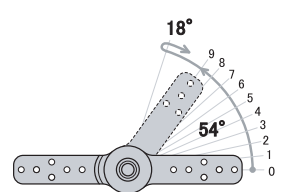
IS-9-108
zero position= 108°
end position= 162°



IS-9-198
zero position=198°
end position= 252°

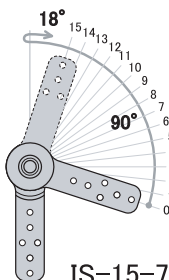


IS-9-90
zero position= 90°
end position= 144°

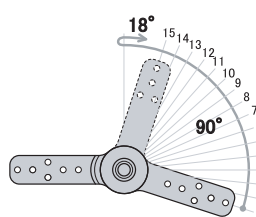


IS-9-180
zero position=180°
end position= 234°

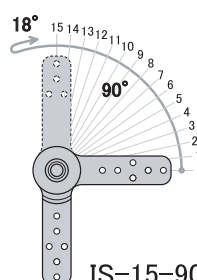
15
STEPS



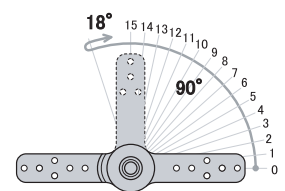
IS-15-72
zero position= 72°
end position= 162°



IS-15-162
zero position=162°
end position= 252°



IS-15-90
zero position= 90°
end position= 180°



IS-15-180
zero position=180°
end position= 270°

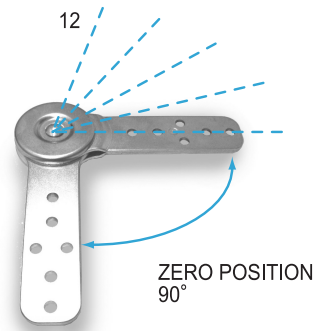


MODEL NAME (COMBINATION CODE)

e.g.)

MODEL No. IS - 12 - 90

SERIES
STEPS
ZERO POSITION

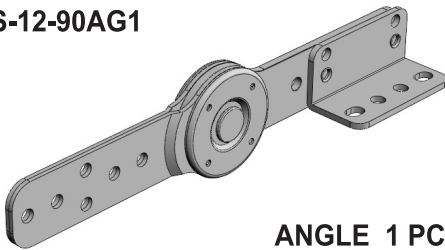


APPLICATION

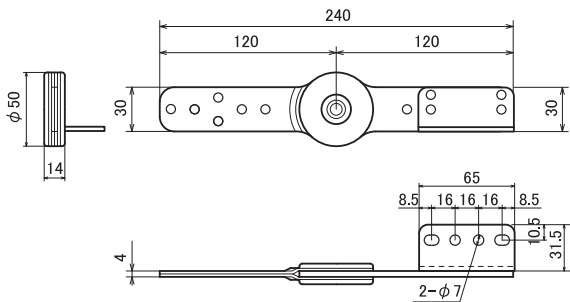
Angle riveted type & long arm type are available with the same steps & motion patterns of the standard one.

ANGLE RIVETED TYPE

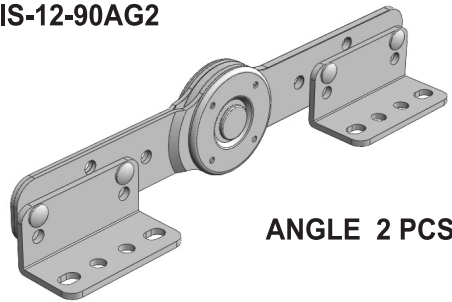
MODEL e.g.)
IS-12-90AG1



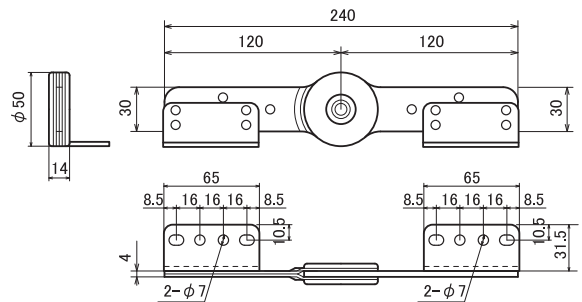
ANGLE 1 PC



MODEL e.g.)
IS-12-90AG2



ANGLE 2 PCS



LONG ARM TYPE

MODEL e.g.)
IS-L-12-90

This model can meet the requirement of the chair / sofa frame where the longer arm is needed.

