



MODEL NAME (COMBINATION CODE)

e.g.)

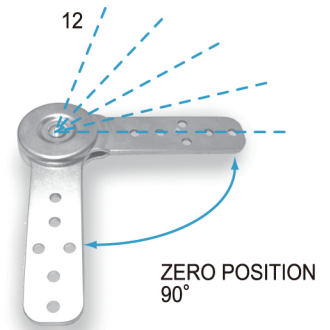
MODEL No. IS250-12-90

SERIES



STEPS

ZERO POSITION

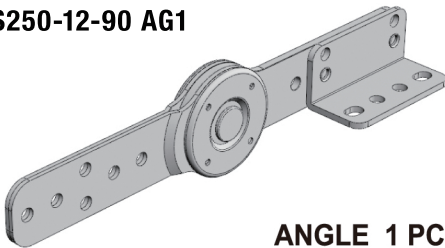


APPLICATION

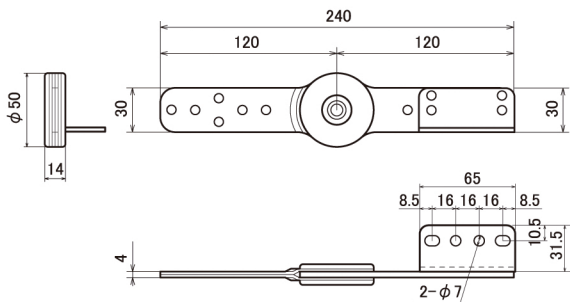
Angle riveted type & long arm type are available with the same steps & motion patterns of the standard one.

ANGLE RIVETED TYPE

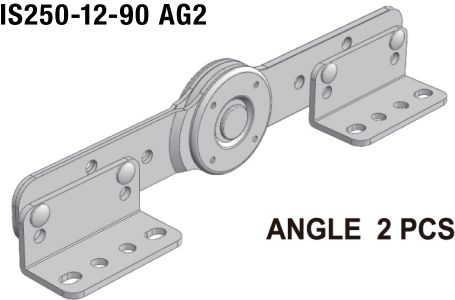
MODEL e.g.)
IS250-12-90 AG1



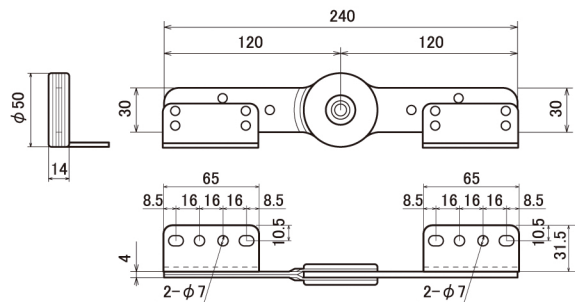
ANGLE 1 PC



MODEL e.g.)
IS250-12-90 AG2

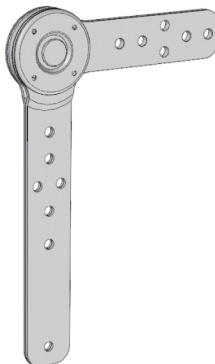


ANGLE 2 PCS



LONG ARM TYPE

MODEL e.g.)
IS250-L-12-90



This model can meet the requirement of the chair / sofa frame where the longer arm is needed.

